



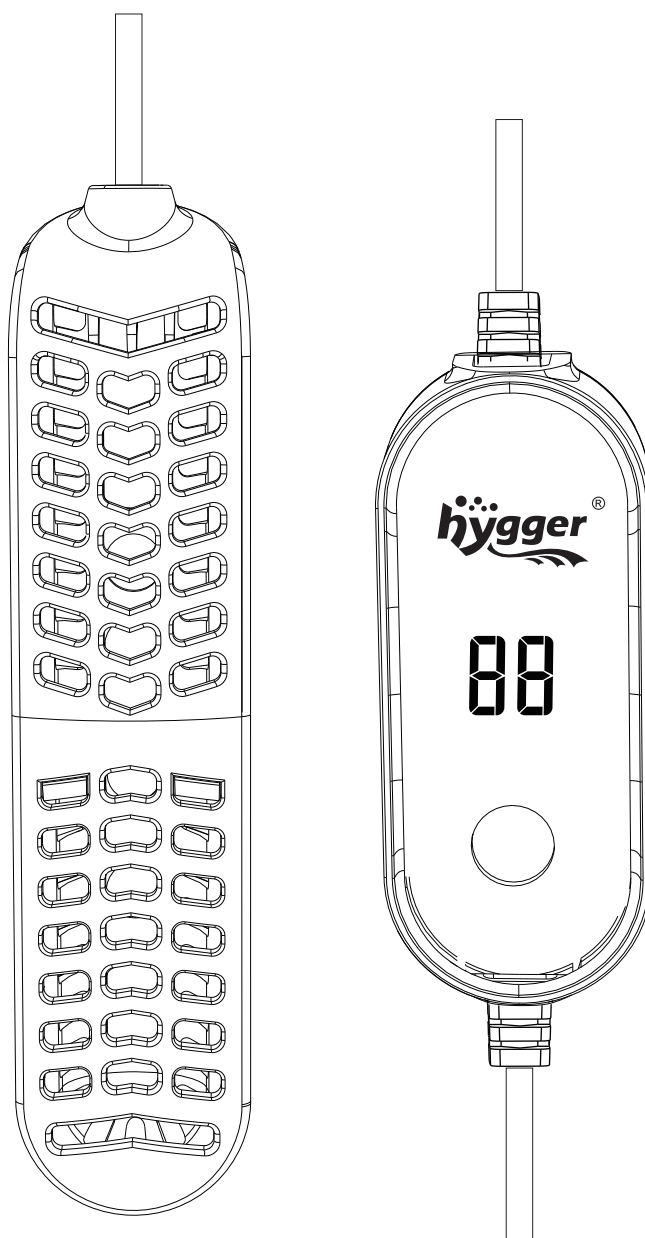
E-mail: [distributor@hyggeraquarium.com](mailto:distributor@hyggeraquarium.com)

Website: [www.hyggeraquarium.com](http://www.hyggeraquarium.com)



# HG148 USER MANUAL

## hygger Mini Plus Aquarium Heater



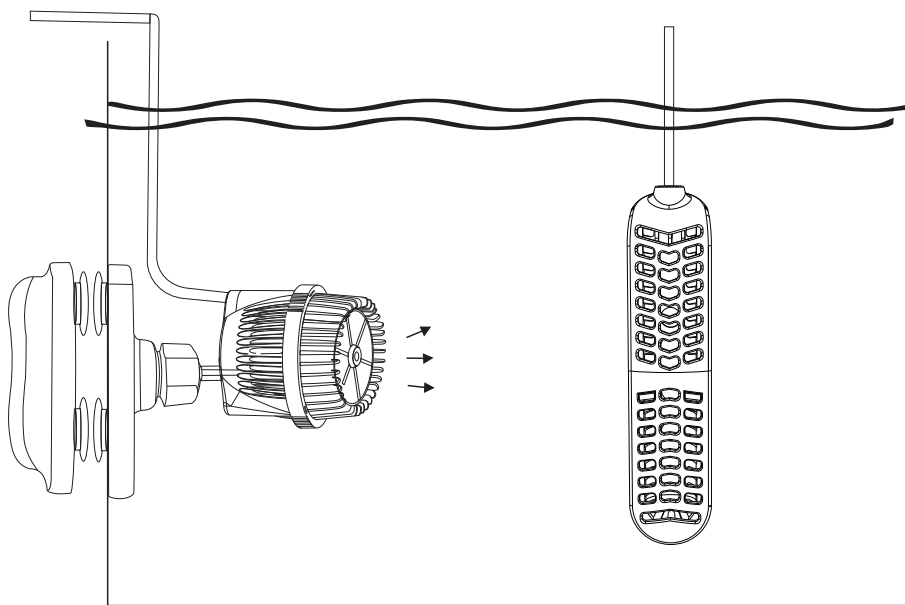
hygger Mini Plus Aquarium Heater is a perfect heater for 1~20 gallons (3.5-75L) aquariums and is best for desktop, office, or home use.



## CAUTION:

1. The heater must be fully submerged when it is in operation. Unplug the heater and wait 15 minutes before changing the water or removing the heater from the aquarium.

2. Please make sure there is enough water flow and water circulation in the fish tank when using the heater.



## 1. PRODUCT FEATURES

### **Digital LED temperature display on controller:**

The multifunctional, easy-to-read digital LED display shows the current water temperature and allows precise temperature settings.

### **External temperature controller and easy**

**operation:** Set the desired temperature and check the setup in one clip. You can set the temperature when the display is flashing. The digits then stop flashing. Then press the "SET" button to check your setup at a clip.

**Memory function and automatic switch-off:** In the event of a power failure, the memory function allows the appliance to save the entered data. Once the set temperature has been reached, the heater switches off.

**Explosion-proof quartz heating tube:** The quartz glass heating element is explosion-proof and well-insulated, making it safer than conventional aquarium heaters.

**Intelligent overheating protection:** Once the set temperature has been reached, the heater switches off. The indicator light lights up red, and the heater starts to heat when the current water temperature falls 1°F/1°C below the preset temperature. The adjustable temperature range of this heater is 59-93°F(15-34°C).

**Small size is ideal for small aquarium.**

**Suitable for freshwater and saltwater.**

## 2. PRODUCT SPECIFICATIONS

Model	HG148		
Power	25W	35W	50W
Applicable tank size	5-10Gal(20-40L)	8-16Gal(30-60L)	10-20Gal(38-75L)
Volt/Freq	US standard: AC110-120V/60Hz UK/EU/AU standard: AC220-240V/50Hz		
Cord length	0.8m+1.2m (2.6ft+3.9ft)		
Temp accuracy	±1°F (±1°C)		
Control range	59-93°F (15-34°C)		
Heating rod dimension	4.7"x1.1"(12x2.8cm)		

### 3. INSTRUCTIONS

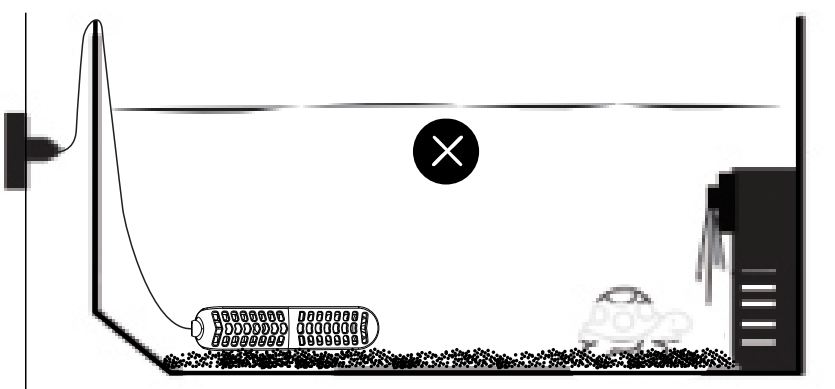
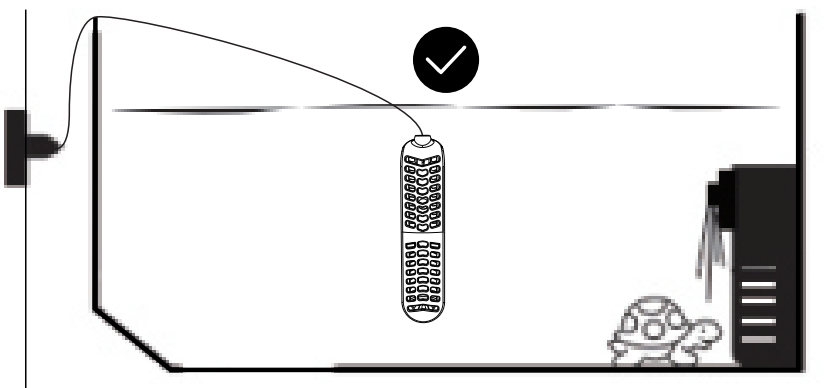
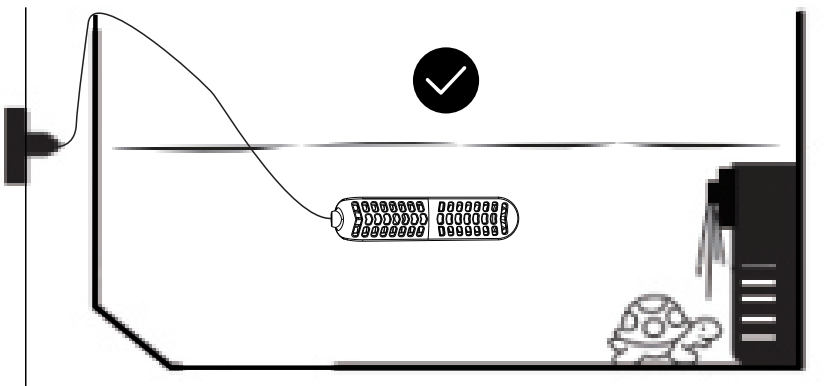
a) Insert the heater plug into the socket, and then press the red button to set the desired temperature.

b) When the set temperature is reached, the light turns green. The heater stops heating. It resumes heating when the water temperature falls 1°F/1°C below the set temperature.

For example, if your desired water temperature is 90°F(32°C), press the red button until the display shows "90"; the current water temperature will display when the setting is complete.

### 4. APPLICATION

Place the heater as shown in the illustration below:



## **5. MAINTENANCE**

- Before carrying out maintenance work, unplug or switch off all electrical devices on and in the aquarium.
- Do not use detergents or other chemical cleaners.
- To clean the heater, remove the plug from the socket and leave the heater in the aquarium for 15 minutes to cool down. Only then remove it. Wash the heater with clean water.

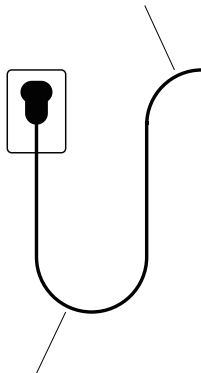
## **6. WARNING**

To avoid possible electric shock, do not immerse the switch in the water. If the switch falls into the water or becomes wet, do not touch it until you have unplugged it. Basic safety precautions that should be observed are as follows:

1. Read and follow this user manual strictly.
2. **DANGER-** To avoid possible electric shock, special care should be taken since water is employed in the use of aquarium equipment. For each of the following situations, do not attempt to repair yourself. Instead, return the heater to an authorized service facility for maintenance or discard it.
  - A. If the heater shows any sign of abnormal working or, unplug the power and remove the heater from the water after 15 minutes.
  - B. Carefully examine the heater after installation. It should not be plugged in if there is water on parts that are not intended to be wet.
  - C. Do not operate the heater if it has a damaged cord or plug, is malfunctioning, dropped, or damaged in any manner. The power cord of this heater cannot be replaced. If the cord is damaged, the heater should be discarded.

D. To avoid the possibility of the heater plug getting wet, position the aquarium and its stand to one side of a wall mounted outlet to prevent water from dripping onto the outlet or plug. A “drip loop”, shown in the figure below, should be arranged by the user for each cord, which connects the heater to the outlet. If an extension cord is used, the “drip loop” is the part of the cord below the level of the outlet or the connector that prevents water from traveling along the cord and coming in contact with the outlet. If the plug or outlet does get wet, DO NOT unplug the cord. Disconnect the fuse to the circuit breaker that supplies power to the heater. Then, unplug and examine for the presence of water in the outlet. If you are not sure, consult a certified electrician.

## **POWER CORD**



## **DRIP LOOP**

3. Close supervision is necessary when the heater is used near children.
4. This heater is not allowed to use by persons (including children) with reduced physical sensory or mental capabilities, or lack of experience and knowledge unless they have been given supervision or instruction concerning the use of the heater by a person responsible for their safety.
5. To avoid injury, do not contact moving or hot parts.

6. Always unplug the heater from the outlet when not in use, before putting on or taking off parts, maintenance, or placing hands in the water. Never yank the cord to pull the plug from the outlet. Grasp the plug and pull to disconnect.
7. Do not use the heater for other than intended use. The use of attachments not recommended or sold by the appliance manufacturer may cause an unsafe condition and will void the warranty.
8. Do not install or store the heater where it will be exposed to extreme weather or temperatures below freezing.
9. Only use the heater in freshwater or saltwater, do not use it in other liquids.
10. Make sure the heater is securely installed before operating it.
11. Read and observe all the important notices on the heater.
12. If an extension cord is necessary, a cord with a proper rating should be used, such as rated amperes or watts. A cord rated for fewer amperes or watts than the heater rating may overheat. Care should be taken to arrange the cord so that it will not be tripped over or pulled.
13. The 2-conductor power cord has a polarized plug (one blade is wider than the other.) As a safety feature, this plug will fit in a polarized outlet only one way. If the plug does not fit fully in the outlet, reverse the plug. If it still does not fit, contact a qualified electrician. Never use it with an extension cord unless the plug can be fully inserted. Do not attempt to defeat this safety feature.
14. The heater is intended FOR HOUSEHOLD USE ONLY.
15. SAVE THIS USER MANUAL.



## 6. ATTENTIONS

√ Please check all the items to inspect their condition when unboxing the package.

√ Please read this user manual carefully before using it and follow it strictly.

√ Please choose a heater rated for your aquarium.

√ Please place the heating rod in the way of water flow and don't bury it in the substrate.

√ It is suggested that the heater is submerged more than 5 inches below the water.

√ Please make sure the heating rod is fully submerged when it's on duty. Unplug the heater and wait for 15 minutes before changing the water or removing the heater.

√ Please mind that the heater can be turned off automatically when exposed to air, but it is a last resort and should be avoided.

√ After using the heater for a while, calcium carbonate contained in algae or moss may clump and adhere to the heating rod.

√ If dirt adheres to the heating rod, use a sponge or cloth and water to wipe it. Do not use alcohol or other chemicals as this may damage the heater and harm the fish or other livestock.

√ If you use the heater for a prolonged period with dirt adhered to the heating element, please be aware that failure may occur due to the inability to control the temperature correctly.

√ Please place the heating rod far away from the magnetic brush since the magnet will possibly damage the heating element.

√ There will be a little mist on the inner wall of the tube while heating, and it will disappear slowly after the heating stops, which means it's a normal phenomenon. So you don't have to worry about it, it is a safe and double-protected product that has passed the UL certification.

## **7. HYGGER LIMITED MANUFACTURER'S WARRANTY**

We offer the end user of this product a manufacturer warranty of 3 (2) years from the date of sale if this product was purchased from a hygger<sup>®</sup> -authorised specialist dealer.

Retain receipt for any future warranty claim.

Conditions apply. Products are guaranteed by hygger<sup>®</sup> Aquatic Supplies to the original purchaser against defective material and workmanship under normal use for a period up to 3 (2) years from the date of the original purchase through an Authorized Dealer. Refer to the User Manual included with your product for specific warranty details.

### **Products have no warranty if:**

- 1.) The product has been serviced, modified or tampered with by anyone other than hygger<sup>®</sup> Aquatic Supplies .
- 2.) The product has been abused or damaged (including broken or cracked bulbs), and/ or .
- 3.) The product has been transported without proper packaging.
- 4.) The product was purchased from an Unauthorized Reseller.

## **WARRANTY LIABILITY DISCLAIMER**

In no event will hygger<sup>®</sup> be liable for any consequential or incidental damages, including but not limited to, lost aquatic life, personal injury, property damage, equipment damage, lost profits, lost wages, lost savings, lost income, etc., arising out of the use of any hygger<sup>®</sup> products.

### **1.0. Terms and Conditions of Warranty.**

- 1.1. hygger<sup>®</sup> warrants to the purchaser, for 3 (2) years from date of original purchase through an Authorized hygger<sup>®</sup> Reseller, free to repair or replace parts where fault is found due to defective materials or faulty workmanship and where goods do not operate in accordance with the instructions.
- 1.2. All claims for repair or replacement must be made at place of purchase.
- 1.3. Only the direct purchaser is entitled to warranty claims against us and these are not transferable without our consent.
- 1.4. The original and dated Proof of Purchase (receipt) must be supplied with all goods claims. Please also provide this Guarantee where possible.
- 1.5. Wear parts (e.g.: seals, suction devices, axes, pump wheels, light sources, pH electrodes, filter media, such as filter cartridges, as well as UVC burners), glass damage and the opening of the product, as well as structural changes or the use of non-hygger<sup>®</sup> original parts are excluded from the guarantee.
- 1.6. All goods subject to claim under Guarantee should be prepared for transportation in the original packaging or other comparable packaging which offers the same degree of

protection and hygger<sup>®</sup> must incur no costs from the shipment.

- 1.7. Where claims on inspection reveal goods are in normal working order, hygger<sup>®</sup> will request reimbursement of all reasonable costs incurred.
- 1.8. Warranty claims do not exist in the case of only insignificant deviations from the agreed or customary condition or usability, e.g. insignificant deviations in colour, dimensions and/or quality or performance characteristics of the products.
- 1.9. Our warranty obligation extends only to the delivery of newly manufactured products. Unless otherwise agreed, used products are sold as seen, excluding any warranty.

For more warranty information, please see the hygger website.

## 8. DISPOSAL

Do not dispose of this product as unsorted municipal waste. Collection of such waste separately for special treatment is necessary. This product has to be disposed of at an authorized place for the recycling of electrical and electronic appliances rather than being disposed of together with the domestic waste. Collecting and recycling waste is a way of saving natural resources. So, please consult with your local seller to make sure the product is disposed of in an environmentally friendly way.



## 9. PACKING LIST

- 1x Heater rod with an external controller
- 1x User manual

# 10. CONTACT INFORMATION

Distributed by: Hygger Aquarium, Inc.  
13941 Magnolia Ave, Chino, CA 91710

E-mail: distributor@hyggeraquarium.com

Website: www.hyggeraquarium.com

Trademarks of Shenzhen Mago Trading Co., Ltd  
Bantian Group Business Center, Longgang,  
Shenzhen City, China  
All Rights Reserved



MADE IN CHINA